

TMC3211

Integer Divider

32-Bit, 20 MOPS

Features

- 32-bit by 16-bit fixed-point integer division with 32-bit quotient
- 20 MHz clock rate and pipelined throughput rate
- Three-bus I/O architecture allows unrestricted throughput
- Easy system interfacing
- Status flags for divide-by-zero and inexact result
- All inputs and outputs TTL compatible

Applications

- Graphics and image processors
- Matrix operations and geometric transforms
- Perspective extraction
- Radar signal processing
- Range scaling

Description

The TMC3211 is a fast monolithic two's complement integer divider which can divide a 32-bit dividend by a 16-bit divisor to produce a 32-bit quotient, with a maximum pipelined throughput of 20 MOPS (Million Operations Per Second).

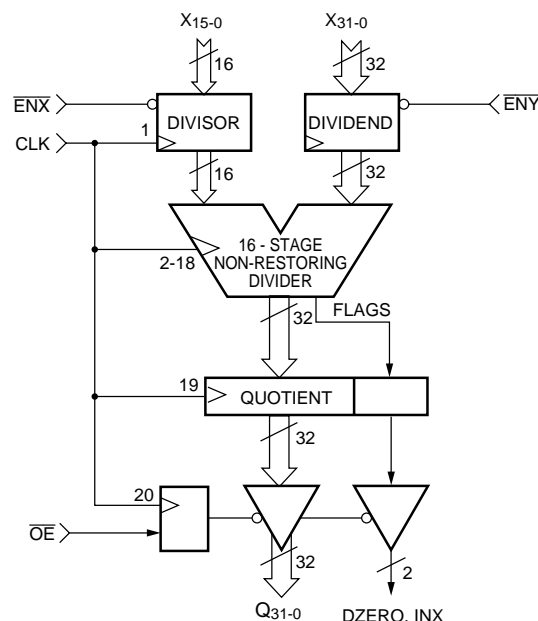
Data is input on separate busses, and quotients are available on a 32-bit output bus with synchronous three-state enable. All data inputs and outputs are registered and TTL compatible. All input and output signal timing is referenced to the rising edge of Clock.

The TMC3211 has a single system clock and separate load enable controls for the dividend and divisor registers. This allows the device to be used in applications requiring division by a constant. Underflow automatically produces the expected zero quotient, and dividing by zero sets a divide-by-zero output flag.

The internal architecture of the TMC3211 allows all 32-bit two's complement integer dividends and nonzero 16-bit two's complement integer divisors, without prenormalization. The output quotient format is 32-bit integer.

The TMC3211 makes a full-precision, full-speed divide function available to designers of workstations, image processors, and radar systems who need to perform perspective extractions, matrix operations, range scaling, and other complex functions.

Block Diagram



Functional Description

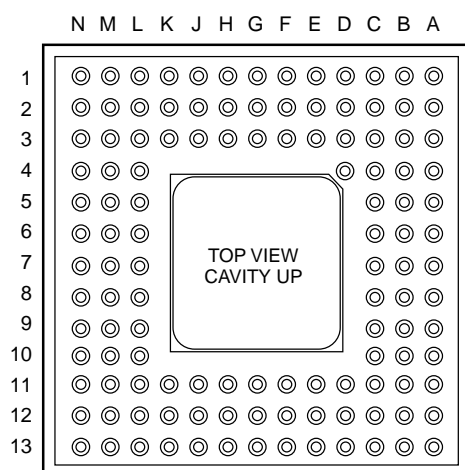
General Information

The TMC3211 consists of input registers, a pipelined array divider, and output (quotient) registers. The 16-bit divisor and 32-bit dividend input registers can each be loaded independently using the two synchronous load enable controls. The divider is a 16-stage pipelined non-restoring array which produces a 32-bit quotient and condition flags which indicate an attempted division by zero, or operations which yield a non-zero remainder or inexact result.

The 32-bit parallel quotient output register includes three-state output drivers with synchronous enable control, which permits multiple TMC3211s to be operated in parallel or connected directly to a system bus.

The TMC3211 requires a total of 19 clock cycles to generate a full 32-bit quotient result. Once the internal pipeline is full, a new quotient is available at the output every clock cycle.

Pin Assignments



Pin	Name	Pin	Name	Pin	Name	Pin	Name
A1	GND	C5	Y ₁₁	G11	Q ₁₇	L10	Q ₂₇
A2	Y ₁₄	C6	Y ₈	G12	V _{DD}	L11	V _{DD}
A3	Y ₁₃	C7	Y ₄	G13	Q ₁₆	L12	GND
A4	V _{DD}	C8	Y ₀	H1	Y ₂₄	L13	Q ₂₄
A5	Y ₉	C9	Q ₁	H2	Y ₂₅	M1	Y ₃₁
A6	Y ₆	C10	Q ₅	H3	GND	M2	X ₀
A7	Y ₅	C11	GND	H11	GND	M3	X ₂
A8	Y ₂	C12	GND	H12	Q ₁₉	M4	X ₄
A9	REM	C13	Q ₉	H13	Q ₁₈	M5	X ₆
A10	Q ₀	D1	Y ₁₈	J1	Y ₂₆	M6	X ₉
A11	Q ₃	D2	Y ₁₇	J2	Y ₂₇	M7	X ₁₁
A12	Q ₆	D3	GND	J3	V _{DD}	M8	X ₁₄
A13	V _{DD}	D11	V _{DD}	J11	V _{DD}	M9	CLK
B1	Y _{EN}	D12	Q ₁₀	J12	Q ₂₁	M10	Q ₃₀
B2	Y ₁₅	D13	Q ₁₁	J13	Q ₂₀	M11	GND
B3	V _{DD}	E1	Y ₂₀	H1	Y ₂₄	M12	GND
B4	Y ₁₂	E2	Y ₁₉	H2	Y ₂₅	M13	Q ₂₅
B5	Y ₁₀	E3	GND	H3	GND	N1	GND
B6	Y ₇	E11	GND	H11	GND	N2	X ₂₁
B7	Y ₃	E12	Q ₁₂	H12	Q ₁₉	N3	X ₃
B8	Y ₁	E13	Q ₁₃	H13	Q ₁₈	N4	X ₅
B9	DZ	F1	Y ₂₂	L1	Y ₃₀	N5	X ₇
B10	Q ₂	F2	Y ₂₁	L2	V _{DD}	N6	X ₁₀
B11	Q ₄	F3	V _{DD}	L3	GND	N7	X ₁₂
B12	Q ₇	F11	V _{DD}	L4	V _{DD}	N8	X ₁₃
B13	Q ₈	F12	Q ₁₄	L5	GND	N9	X _{EN}
C1	Y ₁₆	F13	Q ₁₅	L6	X ₈	N10	O _{EQ}
C2	V _{DD}	G1	Y ₂₃	L7	V _{DD}	N11	Q ₂₉
C3	V _{DD}	G2	GND	L8	X ₁₅	N12	Q ₂₈
C4	GND	G3	V _{DD}	L9	Q ₃₁	N13	Q ₂₆

Pin Descriptions

Signal Type	Signal Name	Pin Number	Description
Power	VDD	B3, A4, A13, D11, F11, G12, J11, K11, L11, L7, L4, L2, J3, G3, F3, C2, C3	Supply Voltage, Ground. The TMC3211 operates on a single +5V supply. All power and ground lines must be connected.
	GND	A1, C4, C11, C12, E11, H11, L12, M12, M11, L5, L3, N1, K3, H3, G2, E3, D3	
Clock	CLK	M9	System Clock. The TMC3211 has a single Clock input. All input and output signal timing is referenced to the rising edge of Clock.
Inputs	Y31-0	M1, L1, K2, K1, J2, J1, H2, H1, G1, F1, F2, E1, E2, D1, D2, C1, B2, A2, A3, B4, C5, B5, A5, C6, B6, A6, A7, C7, B7, A8, B8, C8	Dividend Data. The 32-bit Dividend is presented through the registered Y input port. Y ₃₁ is the sign bit. The LSB is Y ₀ .
	X15-0	U8, M8, N8, N7, M7, N6, M6, L6, NS, MS, N4, M4, N3, M3, N2, M2	Divisor Data. The 16-bit Divisor is presented through the registered X input port. X ₁₅ is the sign bit. The LSB is X ₀ .
Outputs	Q31-0	L9, M10, N11, N12, L10, N13, M13, L13, K12, K13, J12, J13, H12, H13, G11, G13, F13, F12, E13, E12, D13, D12, C13, B13, B12, A12, C10, B11, A11, B10, C9, A10	Quotient Data. The current Quotient is available on the registered Q output bus. Q ₃₁ is the sign bit. The LSB is Q ₀ .
Controls	\overline{YEN}	B1	Dividend Write Enable. Data present at the Dividend input Y ₃₁₋₀ is latched into the input registers on the rising edge of clock when the enable control \overline{YEN} is LOW.
	\overline{XEN}	N9	Divisor Write Enable. Data present at the Divisor input X ₁₅₋₀ is latched into the input registers on the rising edge of clock when the enable control \overline{XEN} is LOW.
	\overline{OEQ}	N10	Quotient Output Enable. The quotient output bus Q ₃₁₋₀ and flags DZ and REM are in the high-impedance state when the registered Output Enable \overline{OEQ} is HIGH. When \overline{OEQ} is LOW, they are enabled on the next clock cycle.
Flags	DZ	B9	Divide-By Zero Flag. When a zero divisor is input, the resulting invalid output quotient will be accompanied by a registered Divide-By-Zero Flag HIGH.
	REM	A9	Inexact Remainder Flag. Whenever a division operation leaves a nonzero remainder, the resulting quotient is accompanied by a registered nonzero Remainder Flag HIGH.
No Connect		D4	Index Pin

Applications Discussion

Division Using A Constant

By utilizing the separate input data register load enable controls, the TMC3211 can perform division by a constant. The data currently held remain in the input registers until updated by the user.

Data Formats

The TMC3211 supports fixed-point two's complement data formats. By keeping track of the binary points of the input data, the user can then interpret the resulting quotient properly. Two possible binary weightings of the input and output bits are as follows:

P _{in}	D31	D30	D29	D28	D27	D26	D25	D24	D23	D22	D21	D20	D19	D18	D17	D16	D15	D14	D13	D12	D11	D10	D9	D8	D7	D6	D5	D4	D3	D2	D1	D0
Y	-2 ³¹	2 ³⁰	2 ²⁹	2 ²⁸	2 ²⁷	2 ²⁶	2 ²⁵	2 ²⁴	2 ²³	2 ²²	2 ²¹	2 ²⁰	2 ¹⁹	2 ¹⁸	2 ¹⁷	2 ¹⁶	2 ¹⁵	2 ¹⁴	2 ¹³	2 ¹²	2 ¹¹	2 ¹⁰	2 ⁹	2 ⁸	2 ⁷	2 ⁶	2 ⁵	2 ⁴	2 ³	2 ²	2 ¹	2 ⁰
X																	-2 ¹⁵	2 ¹⁴	2 ¹³	2 ¹²	2 ¹¹	2 ¹⁰	2 ⁹	2 ⁸	2 ⁷	2 ⁶	2 ⁵	2 ⁴	2 ³	2 ²	2 ¹	2 ⁰
Q	-2 ³¹	2 ³⁰	2 ²⁹	2 ²⁸	2 ²⁷	2 ²⁶	2 ²⁵	2 ²⁴	2 ²³	2 ²²	2 ²¹	2 ²⁰	2 ¹⁹	2 ¹⁸	2 ¹⁷	2 ¹⁶	2 ¹⁵	2 ¹⁴	2 ¹³	2 ¹²	2 ¹¹	2 ¹⁰	2 ⁹	2 ⁸	2 ⁷	2 ⁶	2 ⁵	2 ⁴	2 ³	2 ²	2 ¹	2 ⁰

Figure 1. Integer Data Format

Y	-2 ⁰	.2 ⁻¹	2 ⁻²	2 ⁻³	2 ⁻⁴	2 ⁻⁵	2 ⁻⁶	2 ⁻⁷	2 ⁻⁸	2 ⁻⁹	2 ⁻¹⁰	2 ⁻¹¹	2 ⁻¹²	2 ⁻¹³	2 ⁻¹⁴	2 ⁻¹⁵	2 ⁻¹⁶	2 ⁻¹⁷	2 ⁻¹⁸	2 ⁻¹⁹	2 ⁻²⁰	2 ⁻²¹	2 ⁻²²	2 ⁻²³	2 ⁻²⁴	2 ⁻²⁵	2 ⁻²⁶	2 ⁻²⁷	2 ⁻²⁸	2 ⁻²⁹	2 ⁻³⁰	2 ⁻³¹
X																	-2 ⁰	.2 ⁻¹	2 ⁻²	2 ⁻³	2 ⁻⁴	2 ⁻⁵	2 ⁻⁶	2 ⁻⁷	2 ⁻⁸	2 ⁻⁹	2 ⁻¹⁰	2 ⁻¹¹	2 ⁻¹²	2 ⁻¹³	2 ⁻¹⁴	2 ⁻¹⁵
Q	-2 ¹⁵	.2 ¹⁴	2 ¹³	2 ¹²	2 ¹¹	2 ¹⁰	2 ⁹	2 ⁸	2 ⁷	2 ⁶	2 ⁵	2 ⁴	2 ³	2 ²	2 ¹	2 ⁰	2 ⁻¹	2 ⁻²	2 ⁻³	2 ⁻⁴	2 ⁻⁵	2 ⁻⁶	2 ⁻⁷	2 ⁻⁸	2 ⁻⁹	2 ⁻¹⁰	2 ⁻¹¹	2 ⁻¹²	2 ⁻¹³	2 ⁻¹⁴	2 ⁻¹⁵	2 ⁻¹⁶

Figure 2. Fractional Data Format

where a leading minus sign indicates a sign bit.

Care must be taken when adopting fractional data formats. By observing the binary weighting applied to the input data in the dividend and divisor, the binary point of the quotient can then be correctly established. The difference lies only in constant scale factors, which must be considered in order to maintain a data format which is compatible with the bit weighting of the hardware system. The two most common choices are fractional and integer notation. If integer notation is used, the LSBs of the dividend, divisor, and quotient all have the same value. With fractional notation the MSBs are all of equal weight.

Divide by Zero

The flag DZ indicates that the divisor input for the current calculation was a zero, independent of the dividend. Dividing by zero is an undefined operation yielding a meaningless quotient. Thus, this flag must be monitored to guard against possible errors.

Inexact Results

The flag REM is provided to indicate that the current quotient left a nonzero remainder and was truncated toward zero.

Negative Full-Scale Overflow

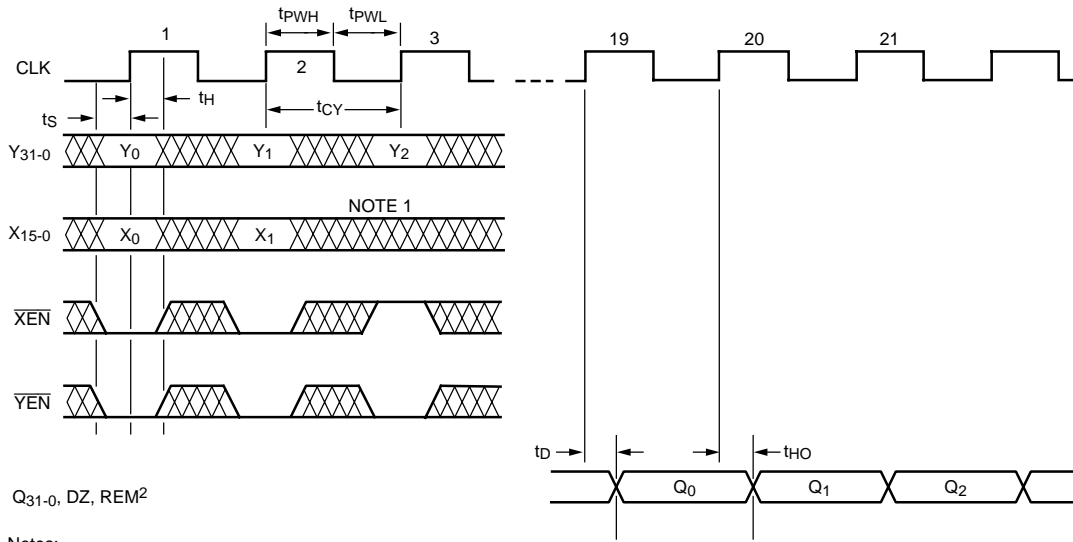
Due to a finite data word width, a two's complement overflow error occurs under the following unique condition:

$$\begin{aligned} \text{Divisor } Y &= 80000000\text{H} \text{ (– Full-Scale)} \\ \text{Dividend } X &= \text{FFFFH} \text{ (-1)} \end{aligned}$$

Result:

$$\text{Quotient } Q = 80000000\text{H} \text{ (– Full-Scale)}$$

As stated above, this is due to a limitation in the number of bits available to indicate a positive full-scale quotient, and data overflows into the MSB position to indicate an incorrect sign.



- Notes:
1. Demonstrates division by a constant, $Q_2 = Y_2/X_1$.
 2. Assumes $\overline{OEQ} = \text{Low}$.

Figure 3. Timing Diagram

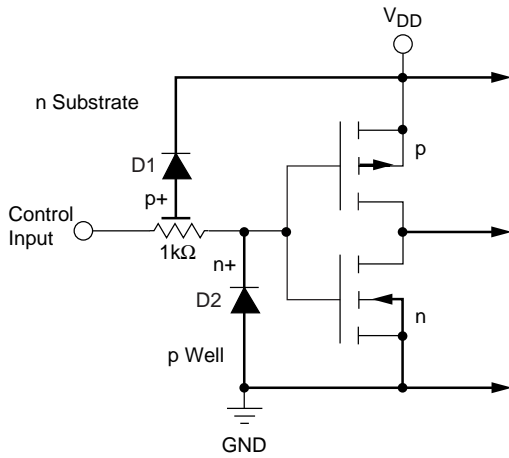


Figure 4. Equivalent Input Circuit

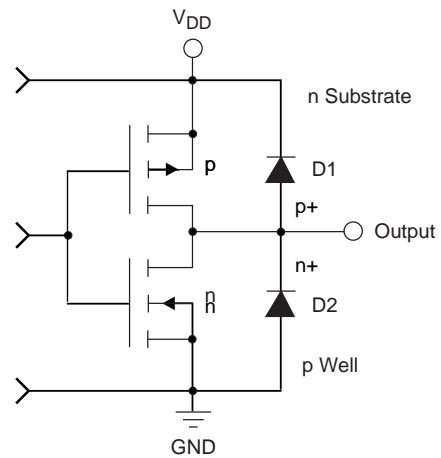


Figure 5. Equivalent Output Circuit

Absolute Maximum Ratings

(beyond which the device may be damaged)¹

Parameter		Min	Max	Units
Supply Voltage		-0.5	+7.0	V
Input Voltage		-0.5	V _{DD} + 0.5	V
Output	Applied Voltage ²	-0.5	V _{DD} + 0.5	V
	Forced Current ^{3,4}	-3.0	6.0	mA
	Short-circuit duration (single output in HIGH state to ground)		1	sec
Temperature	Operating, case	-60	+130	°C
	Junction		175	°C
	Lead, soldering (10 seconds)		300	°C
	Storage	-65	+150	°C

Notes:

1. Absolute maximum ratings are limiting values applied individually while all other parameters are within specified operating conditions. Functional operation under any of these conditions is NOT implied.
2. Applied voltage must be current limited to specified range, and measured with respect to GND.
3. Forcing voltage must be limited to specified range.
4. Current is specified as conventional current flowing into the device.

Operating Conditions

Parameter		Test Conditions	Temperature Range			Units
			Standard			
			Min.	Nom.	Max.	
V _{DD}	Supply Voltage		4.75	5.0	5.25	V
V _{IL}	Input Voltage, Logic LOW				0.8	V
V _{IH}	Input Voltage, Logic HIGH		2.0			V
I _{OL}	Output Current, Logic LOW				4.0	mA
I _{OH}	Output Current, Logic HIGH				-2.0	mA
t _{CY}	Cycle Time	V _{DD} = Min			50	ns
t _{PWL}	Clock Pulse Width, LOW	V _{DD} = Min	15			ns
t _{PWH}	Clock Pulse Width, HIGH	V _{DD} = Min	15			ns
t _S	Input Setup Time		12			ns
t _H	Input Hold Time		6			ns
T _A	Ambient Temperature, Still Air		0		70	°C

DC Characteristics within Specified Operating Conditions¹

Parameter		Test Conditions	Temperature Range		Units
			Standard		
			Min.	Max.	
I _{DDQ}	Supply Current, Quiescent	V _{DD} = Max, V _{IN} = 0V		5	mA
I _{DDU}	Supply Current, Unloaded	V _{DD} = Max, $\overline{OEQ} = 5V$, f = 20MHz		150	mA
I _{IL}	Input Current, Logic LOW	V _{DD} = Max, V _{IN} = 0V		-10	μA
I _{IH}	Input Current, Logic HIGH	V _{DD} = Max, V _{IN} = V _{DD}		10	μA
V _{OL}	Output Voltage, Logic LOW	V _{DD} = Min, I _{OL} = Max		0.4	V
V _{OH}	Output Voltage, Logic HIGH	V _{DD} = Min, I _{OH} = Max	2.4		V
I _{OZL}	Hi-Z Output Leakage Current, Output LOW	V _{DD} = Max, V _{IN} = 0V		-40	μA
I _{OZH}	Hi-Z Output Leakage Current, Output HIGH	V _{DD} = Max, V _{IN} = V _{DD}		40	μA
I _{OS}	Short-Circuit Output Current	V _{DD} = Max, Output HIGH, one pin to ground, one second duration max.		-150	mA
C _I	Input Capacitance	T _A = 25°C, f = 1MHz		10	pF
C _O	Output Capacitance	T _A = 25°C, f = 1MHz		10	pF

Note:

- Actual test conditions may vary from those shown, but guarantee operation as specified

AC Characteristics within Specified Operating Conditions

Parameter		Test Conditions	Temperature		Units
			Standard		
			Min	Max	
t _D	Output Delay ¹	V _{DD} = Min, C _{LOAD} = 25pF		35	ns
t _{HO}	Output Hold Time	V _{DD} = Max, C _{LOAD} = 25pF	5		ns

Note:

- Equivalent to t_{DIS} and t_{ENA} of the three-state outputs

Notes

Notes

Notes

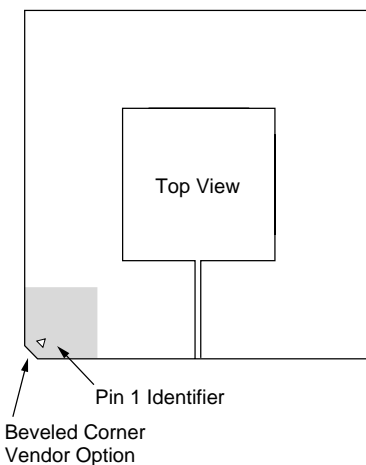
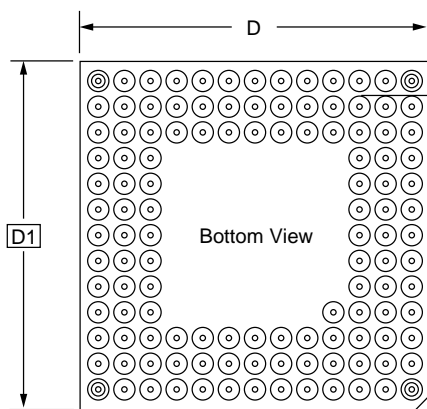
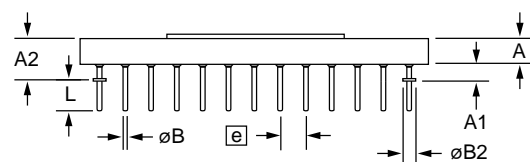
Mechanical Dimensions

120-Pin Plastic Pin Grid Array – H5 Package

Symbol	Inches		Millimeters		Notes
	Min.	Max.	Min.	Max.	
A	.080	.125	2.03	3.18	
A1	.040	.060	1.02	1.52	
A2	.105	.180	2.67	4.57	
øB	.017	.020	0.43	0.51	
øB2	.050 NOM.		1.27 NOM.		
D	1.340	1.350	34.04	35.05	
D1	1.200 BSC		30.48 BSC		
e	.100 BSC		2.54 BSC		
L	.120	.140	3.05	3.56	
M	13		13		2
N	121		121		3
P	.003	—	.076	—	

Notes:

1. Pin #1 identifier shall be within shaded area shown.
2. Dimension "M" defines matrix size.
3. Dimension "N" defines the maximum possible number of pins.
4. Controlling dimension: inch.



Ordering Information

Product Number	Temperature Range	Screening	Package	Package Marking
TMC3211H5C	STD-T _A = 0°C to 70°C	Commercial	120 Pin Plastic Pin Grid Array	3211H5C

The information contained in this data sheet has been carefully compiled; however, it shall not by implication or otherwise become part of the terms and conditions of any subsequent sale. Raytheon's liability shall be determined solely by its standard terms and conditions of sale. No representation as to application or use or that the circuits are either licensed or free from patent infringement is intended or implied. Raytheon reserves the right to change the circuitry and any other data at any time without notice and assumes no liability for errors.

LIFE SUPPORT POLICY:

Raytheon's products are not designed for use in life support applications, wherein a failure or malfunction of the component can reasonably be expected to result in personal injury. The user of Raytheon components in life support applications assumes all risk of such use and indemnifies Raytheon Company against all damages

Raytheon Electronics
Semiconductor Division
5580 Morehouse Drive
San Diego, CA 92121
619.457.1000
800.722.7074
Fax 619.455.6314
applications@lj.sd.ray.com